

FRONT BUMPER GUARD INSTRUCTION
TRUCK G-10

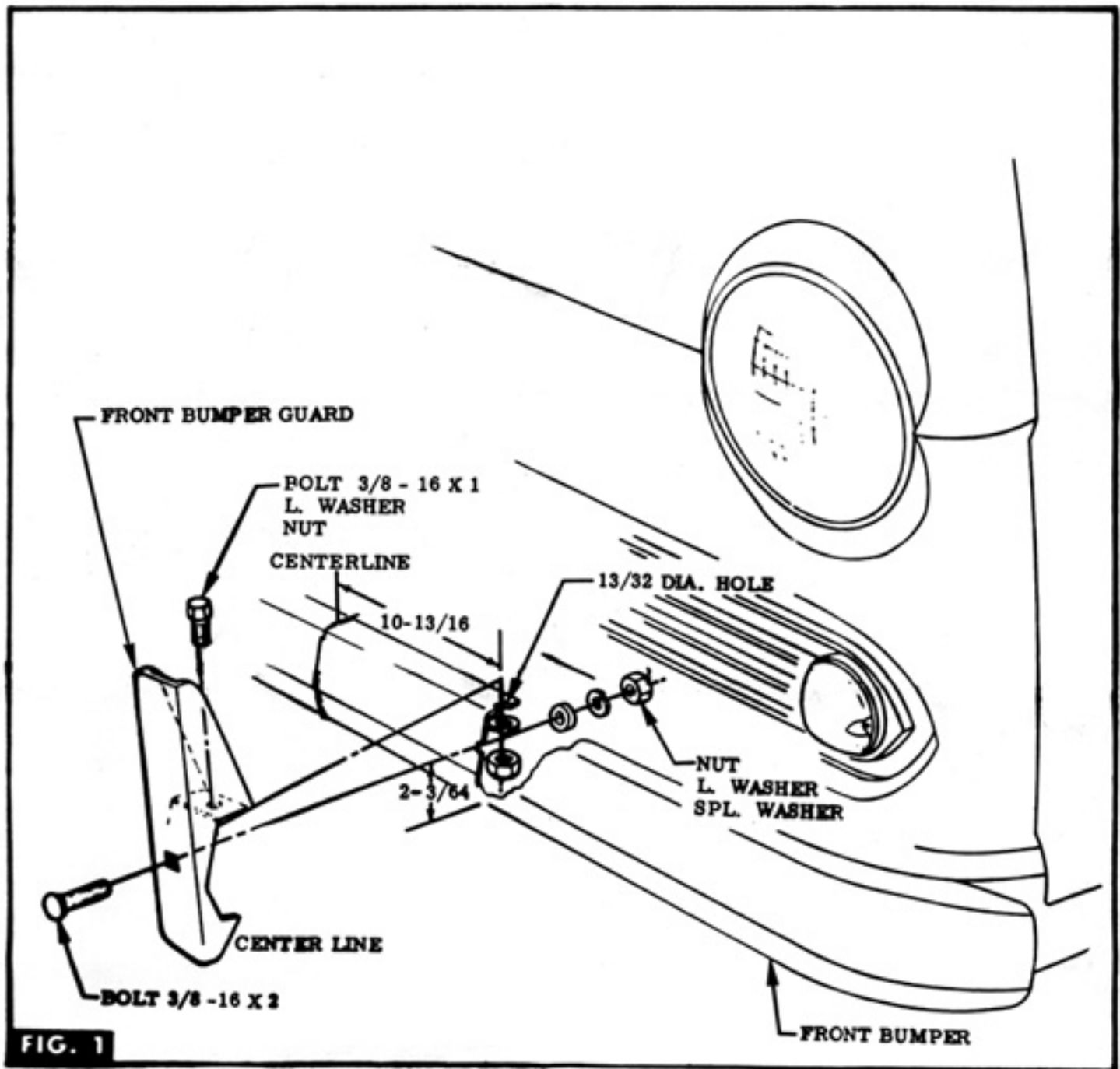


FIG. 1

STEP 1 LOCATE, CENTERPUNCH & DRILL FRONT HOLE IN BUMPER. SEE FIG. 1.

STEP 2 USE FRONT BOLT TO HOLD BUMPER GUARD IN PLACE; THEN USING GUARD AS A TEMPLATE, LOCATE, CENTERPUNCH & DRILL

TOP HOLE IN BUMPER. SEE FIG. 1.

STEP 3 INSTALL BUMPER GUARDS USING ATTACHING PARTS PROVIDED. SEE FIG. 1. **NOTE** Spl Washer to be installed with thick end down.